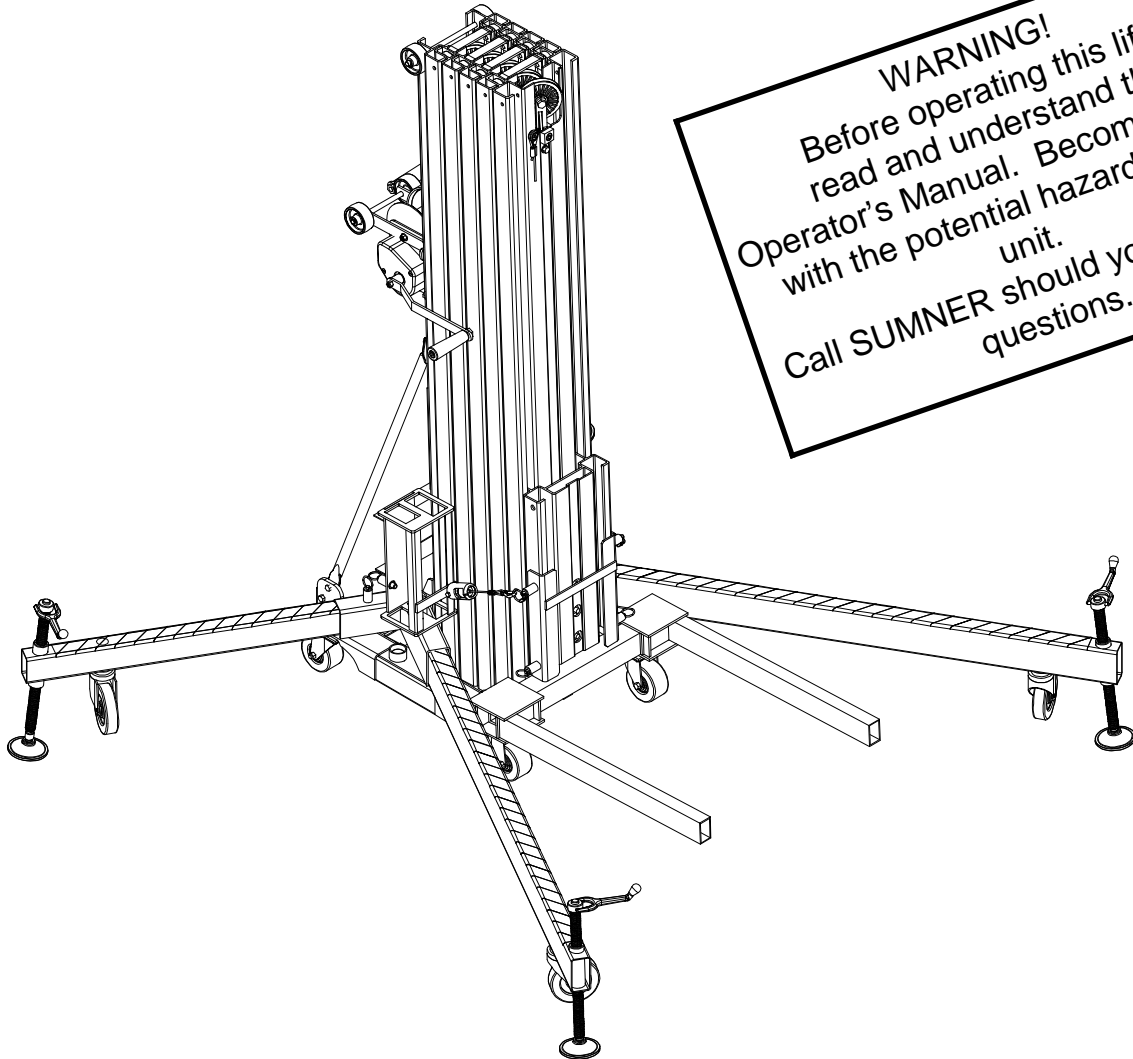

Operator's Manual

EVENTER Series Lifts



WARNING!
Before operating this lift,
read and understand this
Operator's Manual. Become familiar
with the potential hazards of this
unit.
Call SUMNER should you have any
questions.

SUMNER

US
7514 Alabonson Road
Houston, TX 77088
phone: 281-999-6900
fax: 281-999-6966

Canada
51A Caldari Road
Concord, ON L4K 4G3
phone: 905-760-7539
fax: 905-775-4275

UK
Nova House
Audley Avenue, Enterprise Park
Newport, Shropshire TF10 7DW
phone: 011-44-1952-815730
fax: 011-44-1952-815725

Index

Owner's Responsibilities	2
Operator Safety Instructions	3
Inspecting the Equipment	3-5
Work Area Hazards	5-6
Operating Procedure	7-11
Moving Lift to Work Area	7
Moving Lift with Load	7
Reversing Forks	8
Adjustable Forks	8
Lifting and Lowering Loads	9
Storing Forks	9
Using Stabilizer Legs	10
Carriage Safety Latch	11
Load Capacity	12
Specifications	13
Lift Diagram	14
Maintenance Instructions	15-16
Maintenance Record	17
Troubleshooting	18-19

OWNER'S RESPONSIBILITIES

Throughout this publication, the words **WARNING**, **CAUTION** and **IMPORTANT** will be used to alert the user to special instructions concerning a particular operation that may be hazardous if performed incorrectly or carelessly.

OBSERVE THEM CAREFULLY !!

WARNING



Hazards or unsafe practices which could result in severe personal injury or death.

CAUTION



Hazards or unsafe practices which could result in minor personal injury, product or property damage.

IMPORTANT

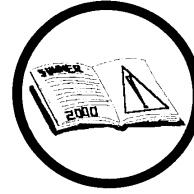


Indicates information or instructions that are necessary for proper operation and/or maintenance.

OPERATOR SAFETY INSTRUCTIONS

IMPORTANT

Read and understand this instruction manual prior to operating or performing maintenance on this lift!

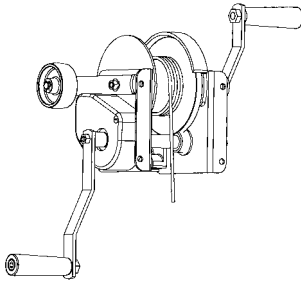


1. INSPECT THE EQUIPMENT

Prior to each use of the unit, check all moving parts and wire rope to ensure that they are in proper operating condition.

If a unit has visible damage or does not transfer up and down smoothly during pre-operation, **do not use the unit.**

Wire rope (cable) must have a minimum of four complete wraps around the winch drum.



If cable is kinked, worn, frayed, damaged, or has anything on it that would obstruct its rotation around the pulley wheels, **do not use the unit!**

Use only Sumner Manufacturing replacement parts. Anything else will severely compromise the quality and safety designed into this lift.

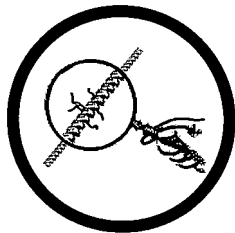


Each unit should have a complete set of decals and a legible Operators Manual. Contact Sumner if any of these items are missing.



WARNING

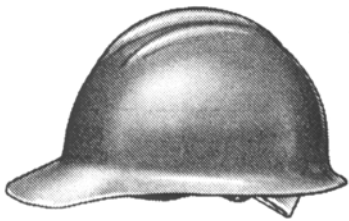
No riders are allowed on this lift. This is not a personnel lift and never should be used for hoisting or moving people.



OPERATOR SAFETY INSTRUCTIONS (continued)

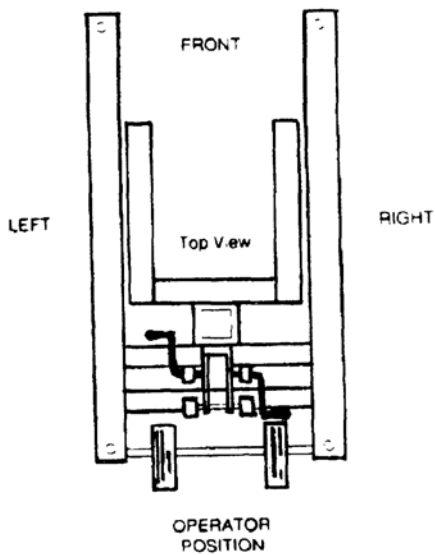
1. INSPECT THE EQUIPMENT (continued)

Wear proper clothing. Hard hat, safety shoes, and gloves should be worn as a precaution while operating this lift.



Avoid horseplay around equipment, and keep bystanders at a safe distance. Do not allow children to operate this unit and always keep them out of work areas.

Operate from the proper position. Keep your balance and proper footing at all times.



WARNING

KEEP HANDS AWAY FROM ALL MOVING PARTS WHILE OPERATING UNIT.



WARNING

DO NOT EXCEED RATED CAPACITY




1. INSPECT THE EQUIPMENT (continued)

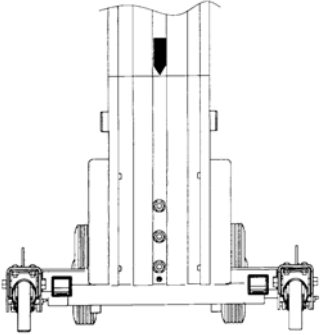
 **WARNING**
NEVER ALLOW ANYONE TO STAND UNDER AN ELEVATED LOAD.



Do not misuse the unit. Perform only the functions for which the unit is designed. Never attempt to operate the equipment at more than the recommended capacity.

Secure load to prevent it from shifting on forks, and tie down loads before lifting.

 **CAUTION**
NEVER ATTEMPT TO WORK ON CABLE OR PULLEY SYSTEM UNLESS MAST ASSEMBLY IS IN THE LOWEST POSSIBLE POSITION TO ENGAGE THE CARRIAGE SAFETY LATCH.



Lock caster brakes when leaving unit unattended.

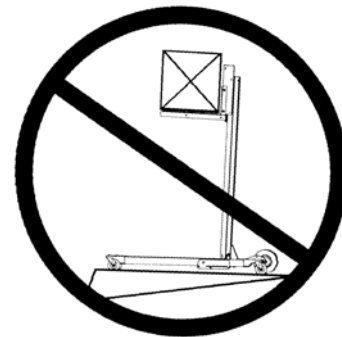
Keep load at lowest possible position at all times.

2. WORK AREA HAZARDS

Never operate during high wind conditions. Lifting bulky loads during high winds can result in the lift tipping over and the possibility of operator injury.

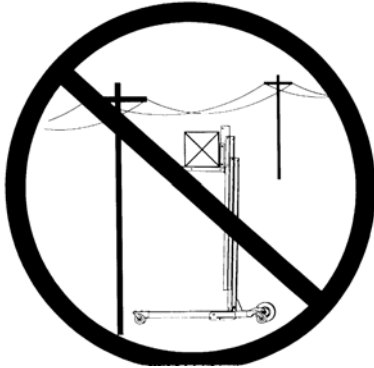


Operate only on level surfaces. Use the unit on smooth and level surfaces to avoid unit tipping over and the possibility of operator injury.



2. WORK AREA HAZARDS (continued)

Always watch for and avoid overhead wires and obstructions when using the unit or moving unit to and from the job site.



Do not use unit to support ladders, for climbing, hoisting or people moving.



Do not use unit outside in thunder, lightning, or severe weather.

Keep work area clean. Always keep work area clear of clutter for unobstructed movement of the unit.



Never leave elevated load unattended.



When a unit has an elevated load, it can be transported on the unit's 5" casters only. Do not operate from an unstable platform such as the bed of a truck.



OPERATING PROCEDURE

1. Moving Lift to Work Area (No Load)

The lift is normally moved to the job site by rolling on its four caster wheels. **Note: Do not pull by the load lifting cable.**

IMPORTANT Before tilting unit to reclined position, the carriage must be in the down position below the red arrows, and ensure that the safety latch is engaged.

To Tilt the unit into position for transport; from a squatting position, grasp the legs just past the front casters and while keeping your back straight, lift upwards to a standing position while someone supports the unit from behind. The unit is now ready to transport.



CAUTION

Always use proper lifting techniques.

2. Moving Lift in Work Area (With Load)

Although it is best to move the unit to the job site unloaded, light loads may be transported as long as the stabilizer legs are installed and the unit is rolled on the eight caster wheels and on a level sur-



CAUTION

If a load is being transported, it should be secured to the fork to avoid shifting.

face. Always have the load in the lowest possible position before moving the unit.



WARNING

Moving the unit with elevated loads should be contained to short distances; i.e., 10-15 feet/4-5 meters.

If it is necessary to move the unit with an elevated load:

- Make sure the area is clear of obstructions
- Keep personnel away from the load and behind the operator's position.
- Move the unit slowly, avoiding sudden jerky starts and stops
- Make sure the load is secure and properly balanced. Note load capacity at given centers below.
- Make sure the stabilizer legs are installed and locked into position.

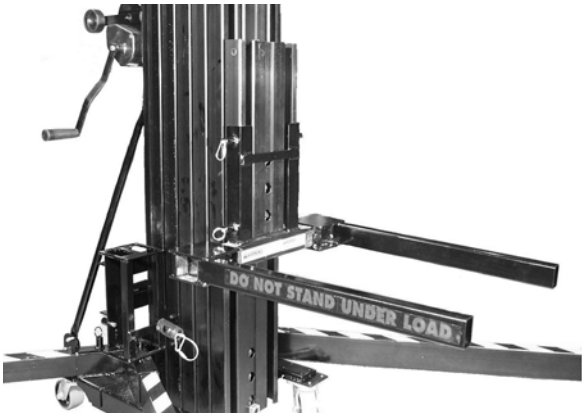


WARNING

Do not extend load centers beyond fork ends by modifying the lift. Lift may become unstable.

OPERATING PROCEDURE (continued)

3. Reversing the Forks



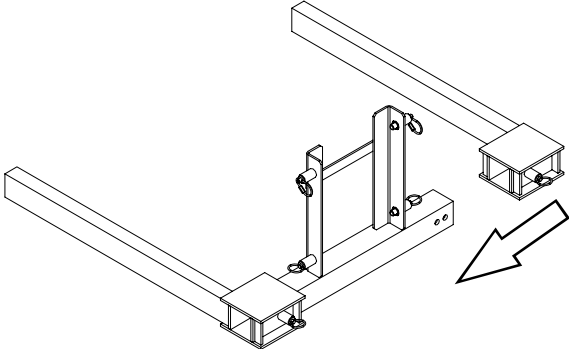
Disengage 4 spring-loaded pins. Rotate fork assembly 180 degrees. Engage the 4 spring-loaded pins.



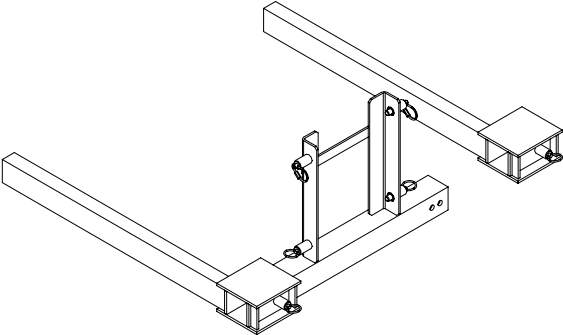
Reverse step #5 to return the forks to their normal position.

4. Adjustable Forks

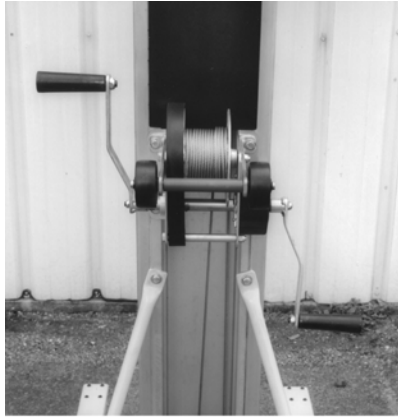
To adjust forks in, pull plunger ring on each fork arm and slide arm in along tube until plungers lock into position. Reverse this step to adjust fork arms out.



To adjust forks to their minimum opening range, pull plunger ring on each fork arm and slide arm off of tube. Flip the arm over and slide back onto tube until the plungers lock into position.



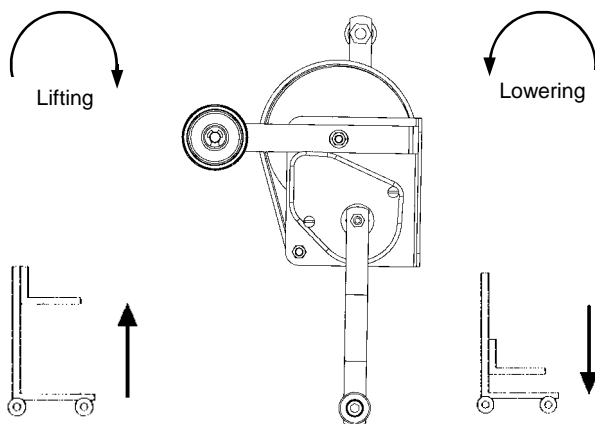
5. Lifting and Lowering Loads



Use the winch to crank forks up or down into the desired position. Then crank winch handles up about 1/4 turn to set the safety brake.

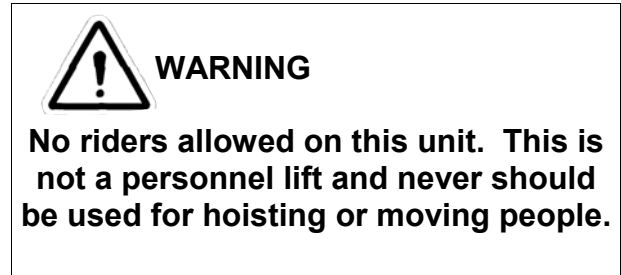
Any unstable load must be *balanced* and *secured* to the forks prior to lifting.

Turn winch crank clockwise to elevate the load, while watching for overhead obstructions.



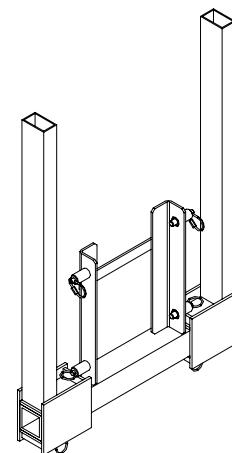
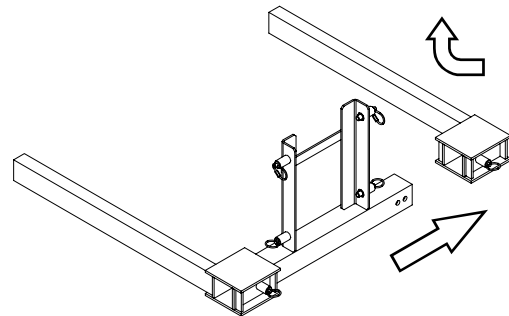
After load is removed from the forks, lower masts by turning winch crank counter clockwise.

Lock caster brakes when leaving unit unattended.



6. Storing Forks

To place fork arms in the stored position, pull plunger ring on each fork arm and slide arm off of tube. Rotate fork arm 90° and slide back onto tube until plunger locks into position.



Reverse step #6 to return the forks to their normal position.

7. Using the Stabilizer Legs

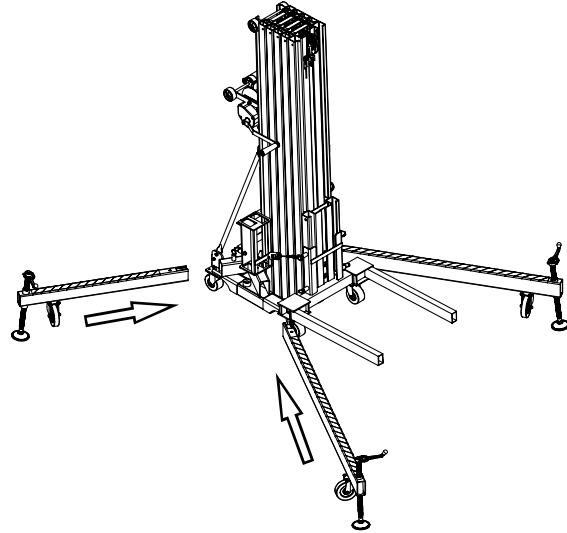
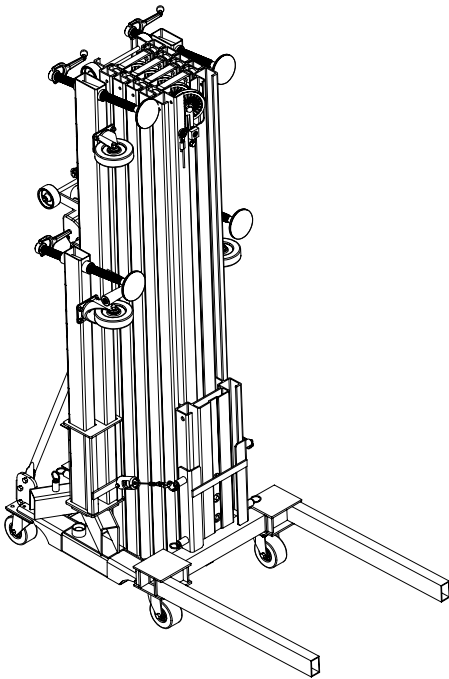


WARNING

Use of the stabilizer legs is required at all times when raising loads.

The lift will arrive with the stabilizer legs in the stowed position in the leg storage pocket. To remove the legs, pull the plunger ring located on the back of the storage pocket while lifting up on the leg. Remove the leg from the storage pocket and place on the ground next to the corresponding leg mounting socket.

Repeat for each leg.



Note: The two longer legs mount towards the front of the lift.

Insert each leg into its' respective mounting socket making sure that the locking plunger fully engages.

Using the leveling screws, level the lift until the bulls eye bubble level shows that the unit is level.

All four of the base casters should be off of the ground when the lift is level.



WARNING

Never operate lift if you cannot level unit.



WARNING

Never operate lift during high wind conditions.

8. Carriage Safety Latch

Securing the Carriage:

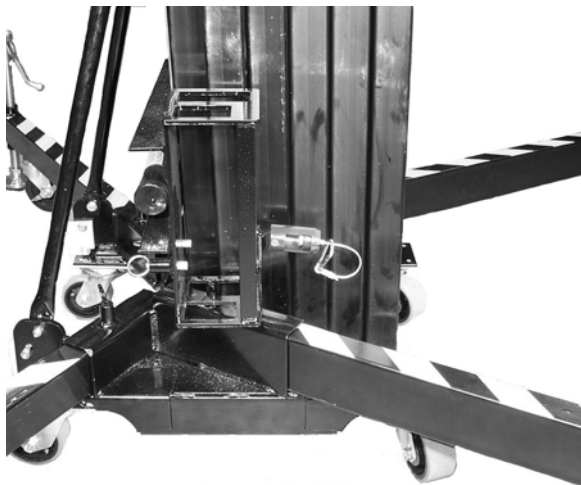
Lower the Carriage all the way down. With the forks in place, engage Safety Snap onto Safety Latch Loop on side of Fork Assembly.



Reverse this procedure to remove Safety Latch.

Operating Your Lift:

When operating the lift, the Safety Latch can be looped onto itself for out of the way storage.

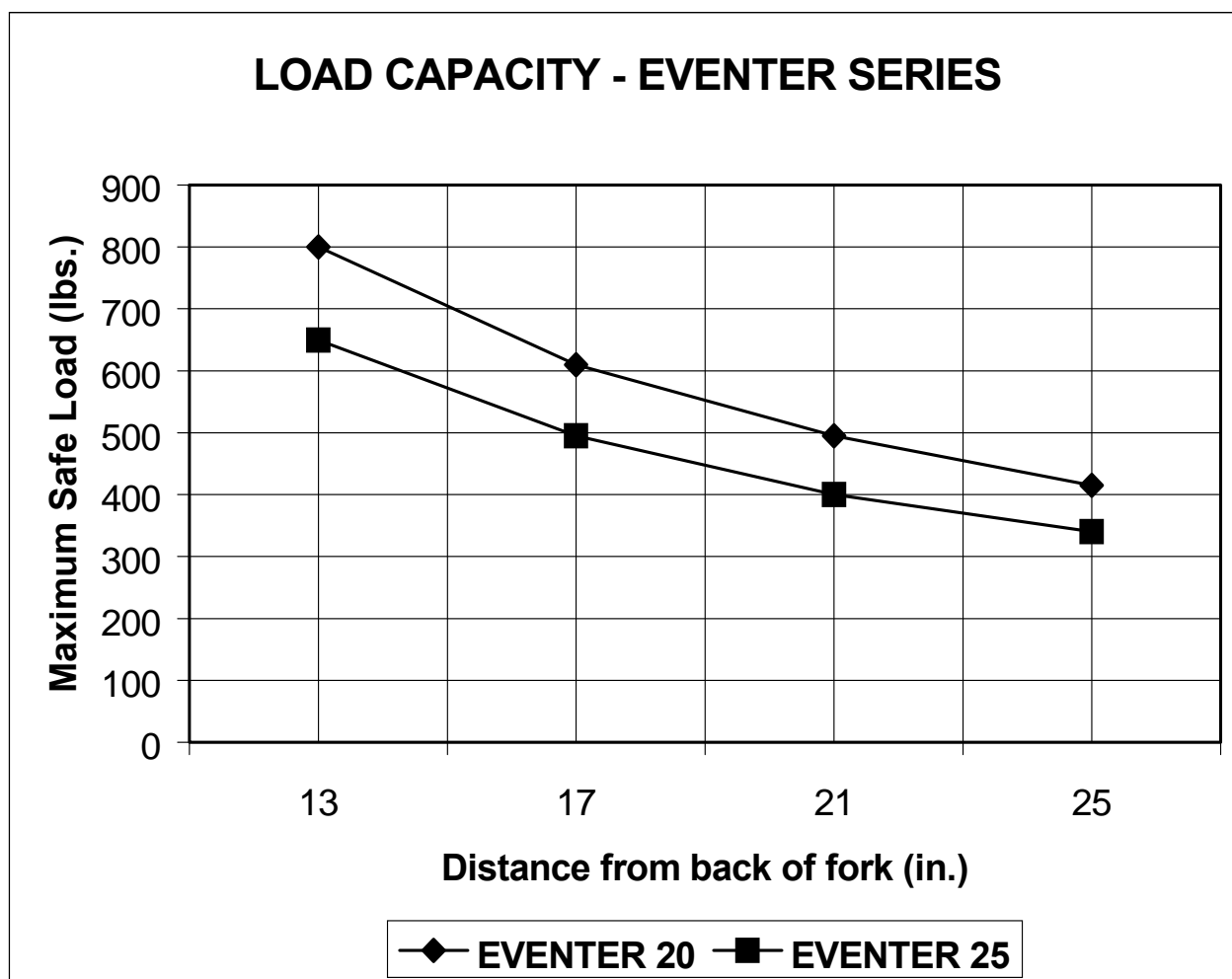


Resetting The Safety Latch:

In the event that you accidentally crank on the winch before disengaging the Safety Snap, the rubber stopper will be pulled through the housing preventing damage to the lift. To reset the Safety Latch, replace the rubber stopper into the housing using the side access slot.



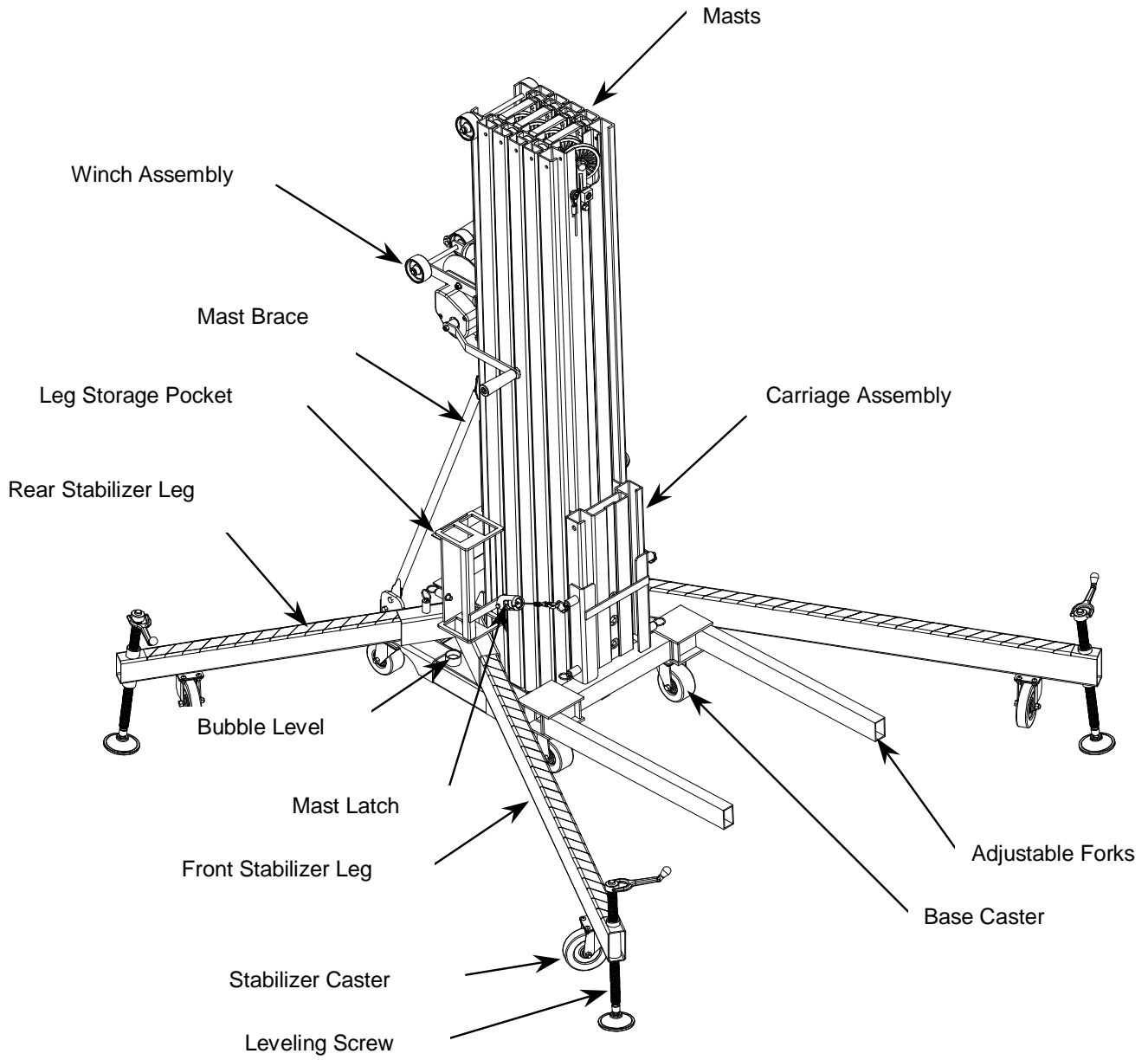
LOAD CAPACITY CHART					
MODEL		LOAD CENTER			
		13 in. 33 cm	17 in. 43 cm	21 in. 53 cm	25 in. 63 cm
EVENTER 20	lbs kg	800 365	610 275	495 225	415 190
EVENTER 25	lbs kg	650 295	495 225	400 180	340 155



SPECIFICATIONS

	EVENTER 20		EVENTER 25	
Height stowed	78"	198.1 cm	78"	198.1 cm
Length stowed	27 1/4"	69.2 cm	27 1/4"	69.2 cm
Width stowed	23"	58.4 cm	23"	58.4 cm
Length operating	77 1/4"	196.2 cm	77 1/4"	196.2 cm
Width operating	75"	190.5 cm	75"	190.5 cm
Height - forks up	20' 7 3/4"	6.2 m	25' 2 3/4"	7.7 m
Height - forks down	18' 8 1/2"	5.7 m	23' 3 1/2"	7.1 m
Ground clearance	3 1/4"	8.3 cm	3 1/4"	8.3 cm
Load height (minimum)	8 1/2"	21.6 cm	8 1/2"	21.6 cm
Load capacity (13" load center)	800 lbs.	360 kg	650 lbs.	300 kg
Lift weight	469 lbs.	215 kg	514 lbs.	235 kg
Fork width - minimum	16"	40.6 cm	16"	40.6 cm
Fork width - maximum	25"	63.5 cm	25"	63.5 cm
Fork length	28"	71.1 cm	28"	71.1 cm
Fork weight	41 lbs.	19 kg	41 lbs.	19 kg
Winch rotation per foot	5 1/4 / ft.	17 / m	5 1/4 / ft.	17 / m

Assembly Diagram



MAINTENANCE INSTRUCTIONS

Before each use:

1. Inspect the cable for kinks and frays. If kinked or more than 3 wire strands are broken (small wires) do not use the lift until the cable has been replaced.
2. Make certain winch operates freely and cable is not tangled on the winch drum.
3. Check forks, legs, and base for bends.
4. Make sure caster wheels move freely.
5. Make sure stabilizer legs slide freely into mounting sockets and plunger pins lock legs into position.
6. Check to ensure that leveling screws turn easily.

Recommended Inspection Every 6 Months:

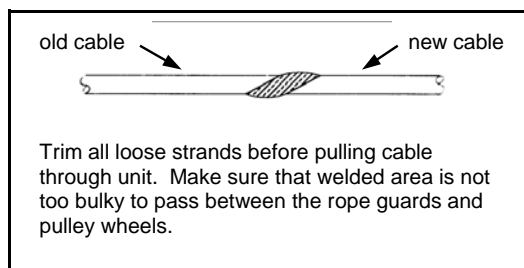
1. Inspect cable for frays and kinks (see point 1 above)
2. Make certain winch works freely and that there are no loose or damaged parts.
3. Brake Inspections
4. Manually raise and support each movable mast section and carriage a minimum of 6" above their lowest position. Use a wooden block with a rope attached to the bottom end to quickly pull on rope to remove wooden block support from mast sections being tested. Brakes should engage before mast section reaches bottom stop. Use winch to crank up mast sections to release the safety brakes.

Winch Maintenance:

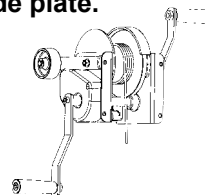
1. Refer to the winch assembly drawings in this Operators Manual.
2. Be sure that both winch covers are on the winch.
3. Check ratchet dog and brake ratchet for wear. If any wear is visible, replace the part. If not, lubricate the holes in both parts with a light oil.
4. Inspect gear teeth for wear. If there is no sign of visible wear, brush teeth with 50-wt. Motor oil.
5. For proper brake adjustment see "Troubleshooting" section on page 19.

Replacing the Cable:

1. Lower the carriage to engage the safety latch.
2. Remove the large gear cover from the winch
3. Unwind the cable from the load drum, loosen the set screw and remove the cable.
4. Unbolt the cable from the top of the top mast.
5. Cut the looped end off the old cable assembly, using cable cutters or a cutting torch.
6. Fusion weld the plain end of the new cable to the cut end of the cable. **Note: The fused joint must be straight and smooth or it will not pass through the pulley assemblies inside the unit.**



7. Use the winch to pull the old cable from the winch side while feeding the new cable through the carriage until the old cable is completely out of the unit. Cut the cables apart approximately 2" from the weld on the new cable and fuse the end of the new cable to prevent unraveling.
8. Bolt the new cable (looped end) to the top of the top mast.
9. Thread the plain end of the cable through the drum into the roper keeper and tighten the set screw. **Note: The cable must be fed from the bottom of the winch between the winch and the mast sections, over the drum and into the slot on the wide plate.**
10. Wind the slack cable tightly and evenly across the load drum.
11. Replace the winch covers.



MAINTENANCE INSTRUCTIONS (continued)

General Maintenance:

1. Check both winch handles for wear or bends.
2. Inspect 3" roller wheels mounted on the winch and top mast for damage and smooth rotation.
3. Examine all bolts and nuts to be sure they are tight.
4. Legs, forks, braces and base should be dent free and damage free.
5. Check pulley covers for damage (indentations) which can restrict the rotation of the pulleys.
6. Make sure load line is seated in all pulleys and that pulley rotates without obstruction.
7. Make sure stabilizer legs slide freely into mounting sockets and plunger pins lock legs into position.
8. Check all roller wheels for free rotation.
9. Inspect masts and carriage hold-down device.
10. Raise mast sections to inspect for free, smooth sliding action. Make sure wire slide-ways are free of dust and oxidation and spray a light coat of silicone lubrication in slideways.
11. Make sure all caster wheels rotate freely and are undamaged.
12. Inspect all plunger mechanisms and apply light grease as required.
13. Check to be sure that all three mast covers are attached to the lift.
14. Check the safety brake operation.

Safety Brake Maintenance:

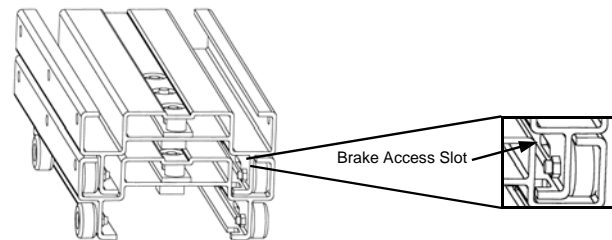
The safety brake will automatically engage when the unit is horizontal, preventing disassembly of the mast sections. When this occurs, the masts will extend, but not retract. A special tool which can be found in the Operator's Manual tube is required to release the brakes and disassemble the unit. If the tool is lost or damaged, one can be made simply from a piece of 1/8 to 1/4 inch diameter steel rod 9 inches long, with both ends bent

into an "L" shape 1-1/4" long.

To release the brake, place the tool in the right side (looking at the lift from the bottom) of the mast assembly (or carriage) as shown, into the access slot and through the hole in the counterweight. Pull the hook tool toward you and the brake will be released.

It may be necessary to push the locked mast (or carriage) up slightly while pulling on the tool. Once the brake is released, maintain pressure on the tool and slide the mast sections (or carriage) apart.

Repeat this step for each mast section.



Brake Release Tool



CAUTION

Replace all worn or damaged parts only with Sumner parts.



WARNING

Modifying the lift in any way can cause injury or death!

MAINTENANCE RECORD

Lift Model Number _____

Lift Serial Number _____

Service Performed:

Action _____ Date

Action _____ Date

Action _____ Date

Action _____ Date

Action _____ Date

Action _____ Date

Action _____ Date

Action _____ Date

Action _____ Date

Action _____ Date

Action _____ Date

Action _____ Date

TROUBLESHOOTING

PROBLEM	CAUSE	SOLUTION
Masts not rising in succession	Overloading Check to make sure that the load does not exceed the maximum load limit	Remove excess weight
	Load may not be centered properly on the forks	Check load capacity chart and reposition load
	Mast roller not rotating. Inspect tracks for debris, grease, or any foreign obstruction	Clean mast sections with a degreaser or brake cleaner and lubricate with a silicon lubricant
	Cable pulley wheel not rotating	If there is any damage to the pulley wheel, or if the wheel doesn't rotate smoothly, change wheel. If the rope guard shows any damage, replace it
	Inspect cable for damage	If cable is kinked, worn or frayed, replace cable
	Mast roller tracks are clean and mast roller wheels are not rotating	If wheels and mounting hardware are not damaged, clean wheels and lubricate shoulder bolt. If the wheels do not rotate freely, replace roller wheel assembly.
	Inspect mast sections for damage	Replace damaged mast section
	Mast sections will not release or transfer down	Check the safety brake. The brake will not release unless the unit is vertical.
If none of these solutions seem to fix the problem...		Call Sumner's Customer Service Department 281-999-6900, ext. 0

NOTE: Mast sections may rise out of succession when load is near maximum capacity. If this occurs, the masts will correct themselves during continued use or when the load is removed from the forks. Movement of the mast sections will not affect the position of the forks. The carriage must elevate to the top of the top mast section before any mast sections begin to rise, and it should lower last.

TROUBLESHOOTING (continued)

PROBLEM	CAUSE	SOLUTION
Load is easing down slowly	The brake on the winch need to be set when the load is at the desired height	When load is in position, crank winch handles forward a half turn towards the lift to set the brake.
You have serviced the winch and now the brake does not work at all	The brake ratchet or ratchet dog are not installed correctly	Check the winch drawing in this manual and correct the installation problem
The winch is hard to crank down	The brake is over-engaged	See illustration and instructions below
	The brake will not disengage	See illustration and instructions below
	The idler gear is displaced	Make sure that the idler rotates freely and the teeth on the idler gear are not worn
Safety brake will not release	Unit may not be in the vertical position	Place unit in vertical position and wind mast sections up to full extension.
Unit is vertical and brakes will not release	Mast section or carriage is too close to mast stop and does not have enough clearance between mast stops for brakes to release	Use release hook to manually disengage safety brakes
Unit is being serviced or unit is not in vertical position	Brakes will engage if unit is horizontal or tilted off center	Use release hook to disengage brakes

For proper adjustments on the EVENTER Lift winch, the pinion and drive shaft must be in the position shown when the lock nut is tightened against the O.D. brake disc to 15 ft. lbs.

